

MVK I/O COMPACT MODULE, METAL

Profibus DP, 8 safety dig. Out/ 8 multif. channels

Digital inputs/outputs

DO4 DO4 DIO4 DIO4 (K3)

PROFIBUS 12 Mbit/s; M12, B-coded

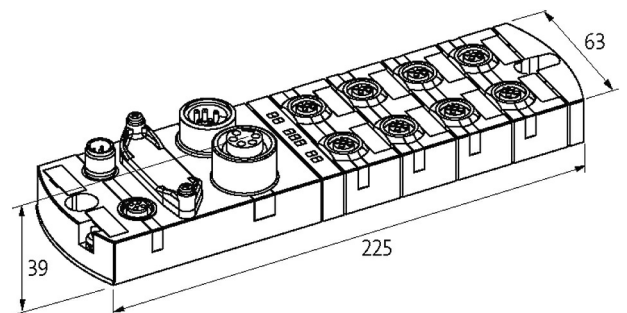
7/8", 5-pole, max. 9 A

M12, 5-pole, A-coded

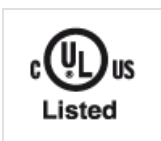
Output groups up to PLd (EN ISO 13849-1) can be switched off via safety relays

Connection cables are in the online shop under "Connection Technology".

Housing fully potted.

Illustration

Product may differ from Image

Approvals**More Info****Input**

Sensor supply US	24 V DC (EN 61131-2), max. 200 mA (M12 female), short-circuit and overload protected
Type	for 3-wire sensors or mechanical switches, PNP

Output

Actuator supply UA	24 V DC (EN 61131-2), 3 circuits, (max. 9 A)
Switching current per output	max. 1.6 A (short-circuit and overload protected)

Lamp load 10 W

Connections

Fieldbus PROFIBUS 12 Mbit/s; M12, B-coded

Sensor-system/actuator supply 7/8", 5-pole, max. 9 A, safe circuits (1 + 2) via separate 7/8" supply (yellow), 2-pole disconnectable

I/O ports M12, 5-pole, A-coded

General data

Protection IP67

Mounting method 2-hole screw mounting

Temperature range 0...+55 °C (storage temperature -20...+70 °C)

Dimensions H×W×D 39×63×225 mm

PROFIBUS

Addressing Rotary switch 1...99

Safe output

Switching current by safe output max. 2 A short-circuit and overload protected, (EN13849-1) PLd

M12 (yellow) PIN 4 2 safety circuits (UA1/UA2) with 2 digital outputs each (EN13849-1) PLd

M12 (yellow) PIN 2 2 safety circuits (UA1/UA2) with 2 digital outputs each (EN13849-1) PLd

Parameterization

PIN 4 4× input/output

PIN 2 4× Input/Output/Diagnostic

Diagnostic

Communication status via LED

Diagnostic via LED per module and channel

Diagnostic via BUS per module and channel

Monitoring - under voltage yes

Monitoring - no voltage yes

Short-circuit and overload yes

Actuator warning per channel via LED and BUS

Cable break per port

Commercial data

country of origin DE

customs tariff number 85389099

EAN 4048879051606

eClass 27242604

Packaging unit 1